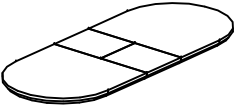

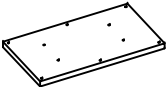





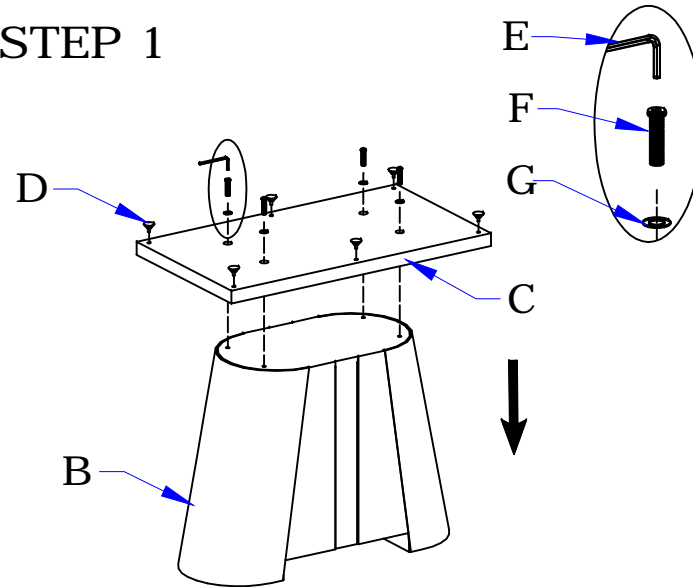


ASSEMBLY INSTRUCTION MOD. NO. DT44-2

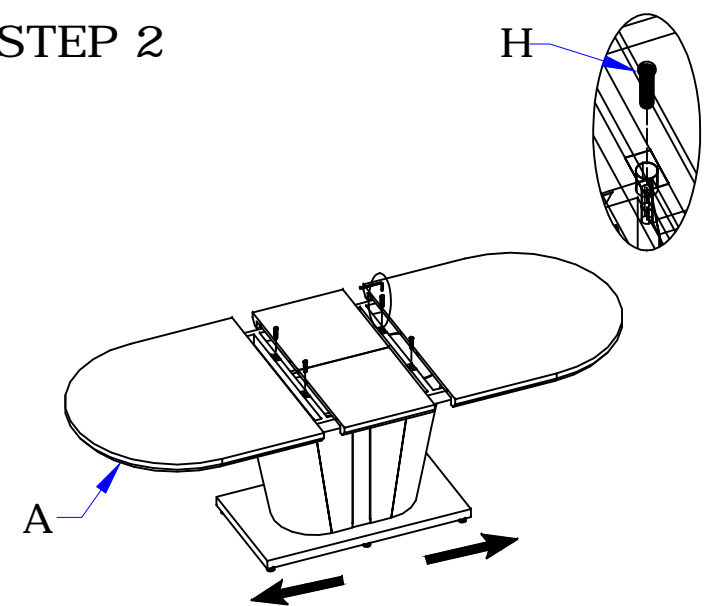
COMPONENTS

A		1
B		1
C		1
D		6
E		1
F		4
G		4
H		4

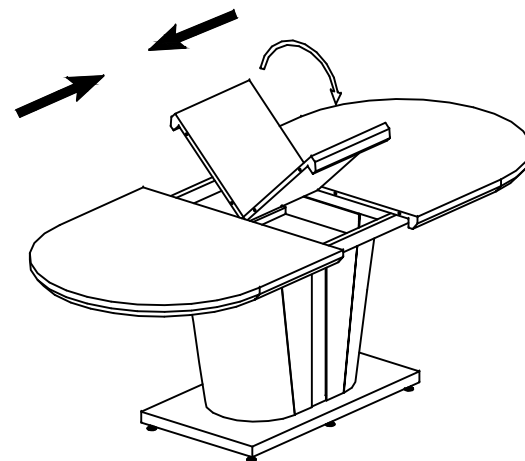
STEP 1



STEP 2



STEP 3



STEP 4

